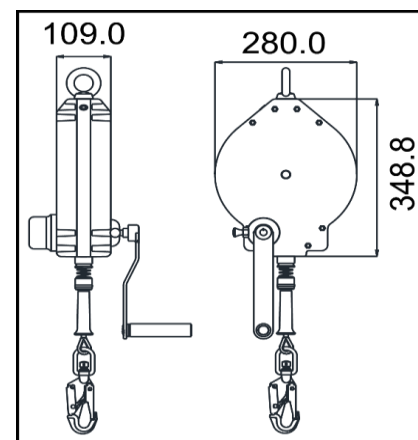


# Olympe



<b>HS CODE</b>
84253900
<b>CARTON SIZE / PCS.</b>
60 x 36 x 34.5 cm / 1
<b>AET N°2777/14354-01/E02-01</b>
<b>Satra Technology Europe Ltd., N° 2777,</b> Bracetown Business Park, Clonee, Dublin, D15YN2P, Ireland
<b>MODULE D FI14/14003.02</b>
<b>SGS Fimko Oy, N°0598</b> Takomotie 8, 00380 HELSINKI, Finland
<b>AET (UKCA) N°AB0321/16090-01/E02-01</b>
<b>Satra Technology Centre, N°0321</b> Wyndham Way, Telford Way, Kettering Northamptonshire, NN16 8SD, United Kingdom
<b>MODULE D 11 IN14/14003</b>
<b>SGS United Kingdom Ltd., N°0120</b> Unit 202B, Worle Parkway, Weston-super-Mare, BS22 6WA, United Kingdom
<b>ACKNOWLEDGEMENT OF RECEIPT N°3975/1/2018 (ATEX)</b>
<b>Technická Inšpekcia, a.s. N°1354</b> Trnavská cesta 56, 821 01 Bratislava, Slovenská Republika

REF.	FA 20 401 30	FA 20 401 30S
LG.  KG	30 m	
	MAX. 140 KG	
MAT. 	Polyamide 6 - 30% fiber glass	
	 STEEL Ø 4.5 mm	 INOX Ø 4.5 mm
	 FA 50 101 17 / FA 50 203 20 with fall indicator	 FA 50 101 17 / stainless steel connector with fall indicator
R(kN)	x2	
	12 kN	
+	NO	
	(1) ATEX Directive 2014/34/UE  II 2 G Exh IIC T6 Gb (2) FA 60 001 02, FA 60 101 01	
	14.80 KG	

LG.	MAT.		
 KG			
<b>Longueur Poids maxi utilisateur</b> <b>Length Max. user weight</b> <b>Longitud Peso máximo del usuario</b> <b>Lunghezza Peso Max. dell'utente</b> <b>Länge Höchstgewicht des Benutzers</b>	<b>Matière carter / câble</b> Material of casing / wire rope <b>Material cárter / cable</b> Material dei carter / Cavo <b>Material Gehäuse / Seil</b>	<b>Matière connecteur haut / connecteur bas</b> Material of top connector / bottom connector <b>Material conector alto / conector bajo</b> Materiale connettore alto / connettore basso <b>Material oberes / unteres Verbindungselement</b>	<b>Nombre d'émerillons</b> Number of swivels <b>Cantidad de eslabones giratorios</b> Numero di tornichetti <b>Anzahl der Wirbel</b>
 <b>Homologué pour le travail à proximité d'arêtes vives</b> Approved for work near sharp edges <b>Homologado para trabajo cerca de aristas vivas</b> Omologato per lavoro in prossimità di spigoli vivi <b>Zugelassen für Arbeiten in der Nähe scharfer Kanten</b>	+ (1) <b>Point fort</b> Key feature <b>Ventaja principal</b> Punti forti <b>Produktvorteil</b>	+ (2) <b>À utiliser avec</b> To be used with <b>Para usar con</b> Ad essere utilizzato con <b>Verwendet werden soll mit</b>	